

KATADYN POCKET FILTER - *the high-class filter with a 20-year guarantee*

PRODUCT CHARACTERISTICS

Technology: Pump filter, ceramic depth filtration (0.2 microns = 0.0002 mm pores)
 Effect: Eliminates bacteria, protozoa, cysts, algae, spores, sediments and viruses in combination with particles greater than 0.2microns. Also reduces chemicals and radioactive particles.
 Output: Approx. 1 l/min
 Capacity: Up to 50,000 litres depending on water quality
 Weight: approx. 580 g
 Size: 27 x 6 cm
 Guarantee: 20 years
 Material: Aluminium, stainless steel, silicon, ceramic
 Accessories: Prefilter, bottle adaptor and carry bag
 Article No.: 2010000

Series: Endurance



FACTS

- The first portable water filter - today a classic
- Made from top-quality, durable materials. This is why the Pocket is suitable for the toughest of conditions and is the first choice for extreme adventurers like Mike Horn
- The tried and tested ceramic depth filter removes bacteria, protozoa and other disease-causing agents. The principle: The micro-organisms cannot pass through the mini pores of the filter ceramic (0.2 microns) because of their size (greater than 0.2 microns = 0.0002 mm)
- Unlike disposable filters, the ceramic can be cleaned several times - even in the field
- Improved, round pump handle for better ergonomics and an outlet hose which can be attached to water containers with a simple clip

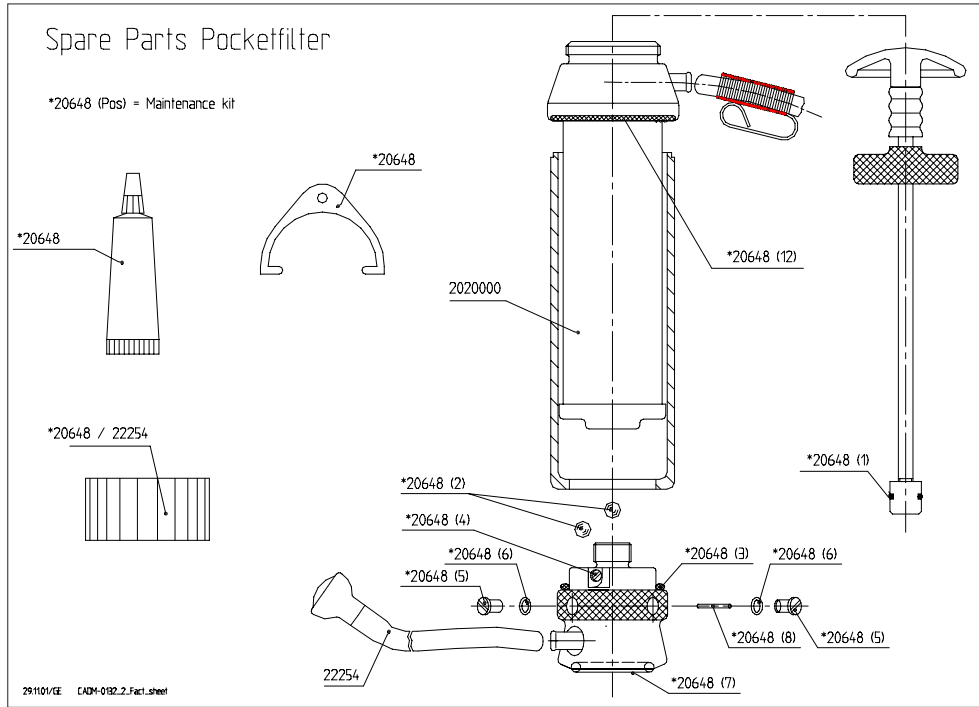
PRODUCT CHARACTERISTICS > BENEFITS

- Top-quality, durable materials > unparalleled quality with a 20-year guarantee
- Cleanable ceramic filter element > not only for clear but also for very cloudy water / can be used hundreds of times (not a disposable filter)
- Few movable parts > simple maintenance
- Long lasting > requires minimal maintenance
- Improved hand ergonomics > even easier to pump
- Measuring gauge supplied > indicates when the filter element should be changed

SHORT PROFILE
 One of the best water filters. Unequalled in strength. For 1 - 4 people, long-term extreme use and trekking. 20-year guarantee

KATADYN POCKET FILTER - *the high-class filter with a 20-year guarantee*

SPARE PARTS



Spare part set

- 2020000 Replacement ceramic filter
- 22254 Hose incl. sieve
- 20648 Small parts set

For more details on spare parts not listed in the key, please contact your Katadyn product dealer.

REFERENCES

Armed Forces USA, Switzerland, Portugal, Indonesia, U.S. National Park Service, U.S. Border Patrol

Mike Horn, extreme adventurer (single-handed around the world)

TESTS (Katadyn ceramic filter)

Convenio de Cooperacion Tecnico-Cientifica, Universidad Nacional Mayor de San Marcos, Lima, Peru, 26.11.1991: Escherichia coli, Fecal Coliforms, Shigella sp., Salmonella typhi, Pseudomonas aeruginosa, Vibrio cholera, Girardia intestinalis cysts, Entamoeba histolytica cysts

T. Kuepper, S. Schaub and H. Hargutt, Naval Civil Engineering Laboratory, Port Hueneme, CA, USA, 10.1.1988: Klebsiella terrigena, Rhodotorula rubra, Cryptosporidium parvum

G. Jackson and P.G. Meier, University of Michigan, Ann Arbor, 9.1981: Klebsiella aerogenes, Pseudomonas aeruginosa, Yersinia enterocolitica, Streptococcus faecalis, Aeromonas hydrophila, Vibrio cholera

Katadyn reserves the right to modify product characteristics

Katadyn Produkte Inc. | Birkenweg 4 | 8304 Wallisellen | Switzerland
Tel +41 1 839 21 11 Fax +41 1 830 79 42
info@katadyn.ch | www.katadyn.ch